



# Basics of programming 3

Java GUI and SWING



# *Complex widgets*



# Complex widgets

- JList

- elements can be selected from a list

- JComboBox

- drop down list with optional textfield

- JTable

- matrix-like representation of data
- more on laboratory

- JTree

- tree-like representation of hierarchical data

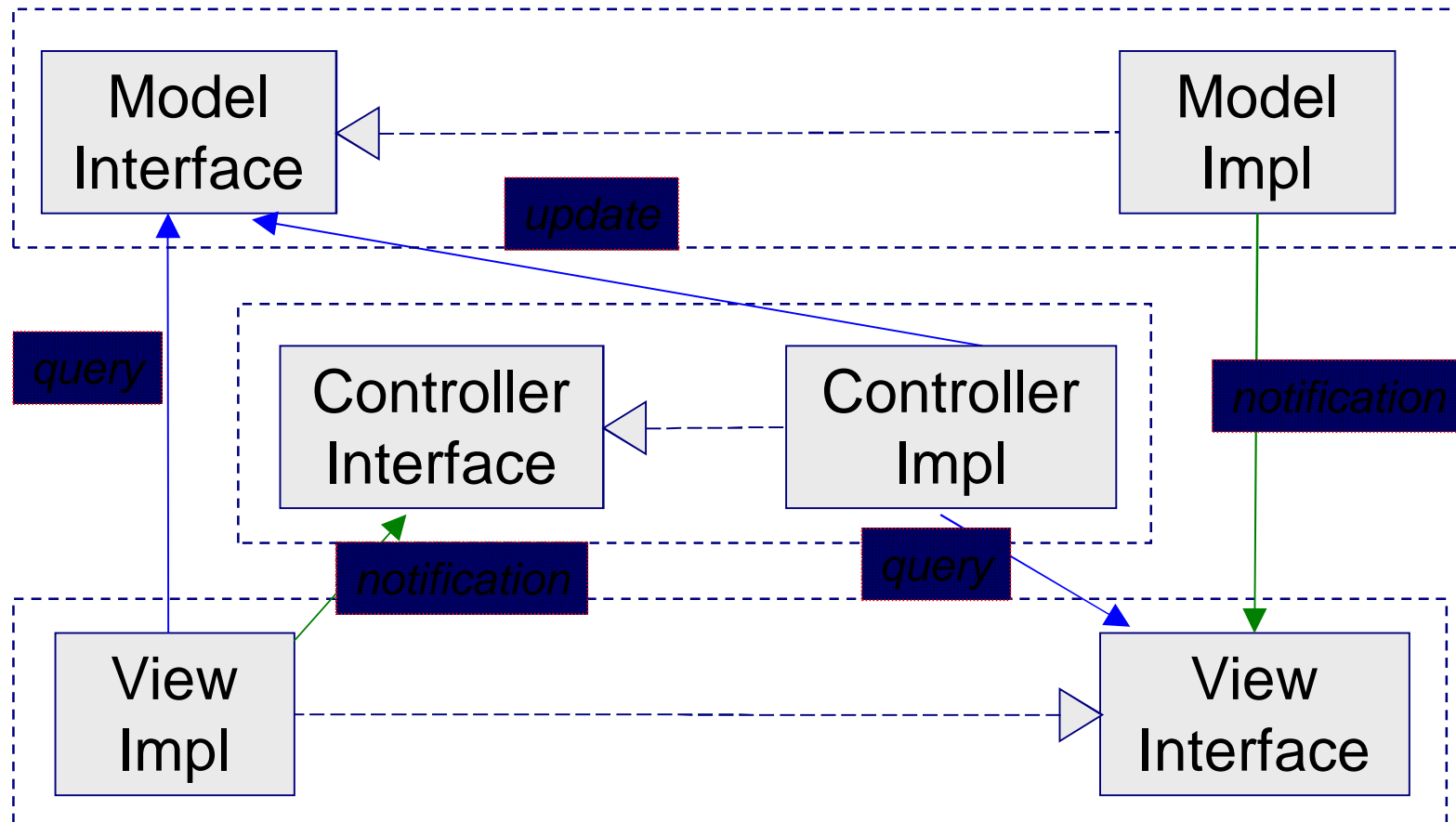
- ...



# Separation of aspects

- Model-View-Controller (MVC) pattern
  - model: *storing and handling data*
  - view: *GUI representation and visual info*
  - controller: *event handling by listener implementation*
- Simple widgets
  - combine data and GUI, only listeners are separated
- Complex widgets
  - GUI and data are also separated
    - e.g. *JList* and *ListModel*, *JTable* and *TableModel*
    - default model implementations are provided


# MVC architecture





# Complex widget: `JList`

- Shows a list of objects
  - by default objects' `toString()` method is used
- Objects are stored separately
  - `Object[]` (immutable)
  - `Vector<T>` (immutable)
  - `ListModel` implementation (eg. `DefaultListModel`)
- Scrolling is done by `JScrollPane`
  - `JScrollPane` is a container providing scrolling functionality
  - `JList` only renders the list



# Model part: `ListModel`

- `interface javax.swing.ListModel`
  - `Object getElementAt(int index)`
    - returns element at *index*
  - `int getSize()`
    - returns number of stored elements
  - `void removeListDataListener(ListDataListener l)`
  - `void addListDataListener(ListDataListener l)`
    - adds/removes listener



# ListDataListener

- When model changes, listeners are notified
- *JList* has its own implementation:
  - `BasicListUI.ListDataHandler`
- Methods
  - `void intervalAdded(ListDataEvent e)`
  - `void intervalRemoved(ListDataEvent e)`
    - interval specified in `e` is modified
  - `void contentsChanged(ListDataEvent e)`
    - complex change has occurred

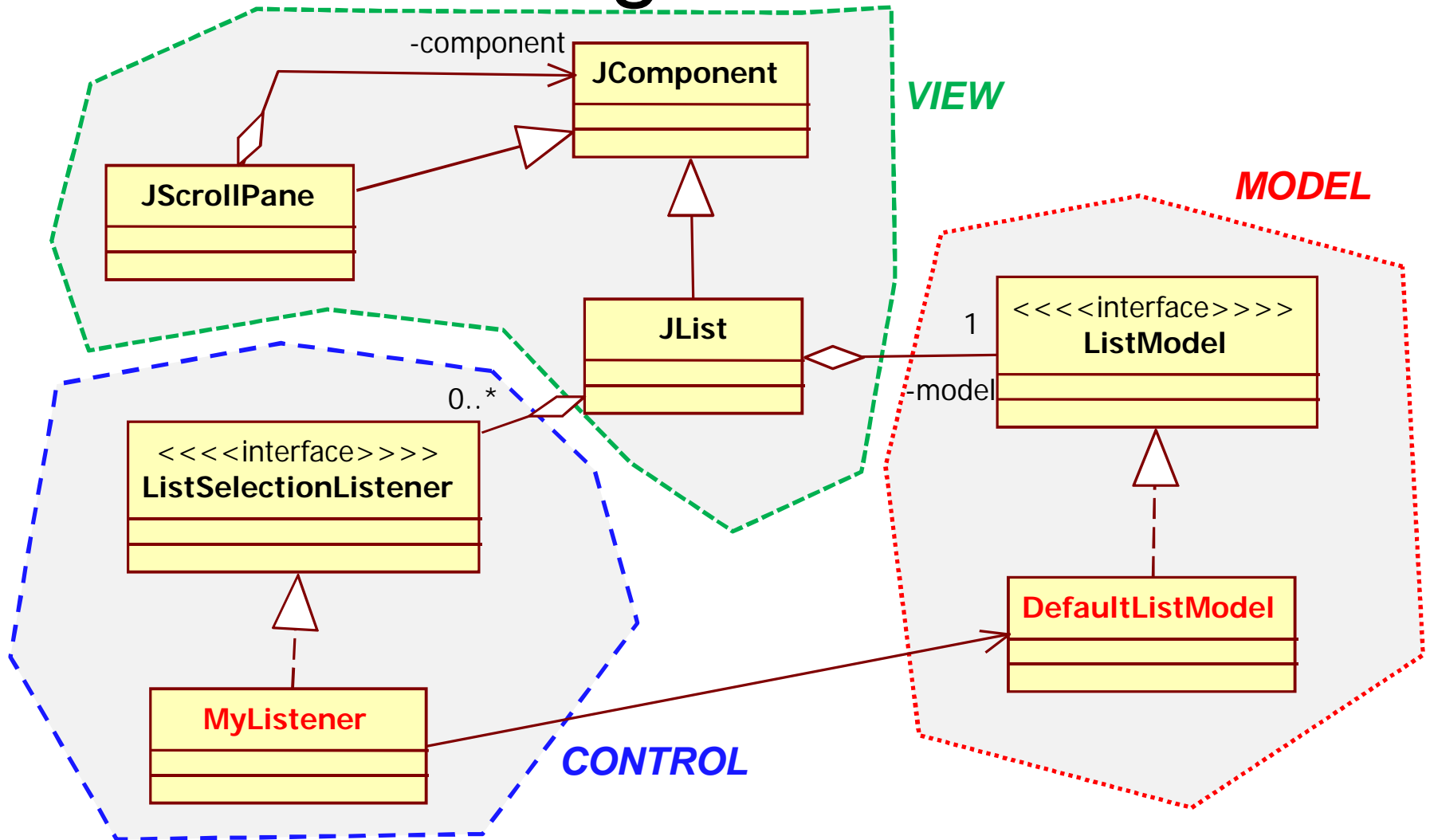




# DefaultListModel

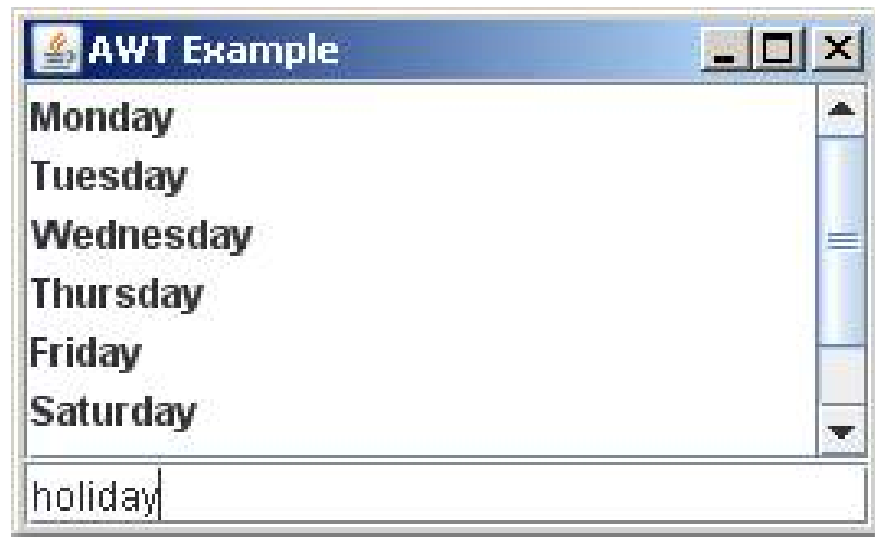
- Implements interface *ListModel*
- Methods resembling *java.util.List*
  - `void add(int index, Object o)`
  - `int size()`
  - `Object get(int index)`
  - `Object remove(int index)`
  - ...

# JList class diagram



# JList example

- Let's create a window with
  - a *list* for displaying strings
  - a *textfield* for entering strings
    - when entered, list is updated



# JList example code

```
public class SwingList implements ActionListener{
    JTextField tf;
    JList list;
    DefaultListModel model;
    public void actionPerformed(ActionEvent ae) {
        model.addElement(tf.getText());
        tf.setText("");
    }
    static public void main(String args[]) {
        (new SwingList()).run();
    }
    ...
}
```

# JList example code

```
...
public void run() {
    JFrame f = new JFrame("AWT Example");
    tf = new JTextField("", 20);
    model = new DefaultListModel();
    list = new JList(model);
    JScrollPane pane = new JScrollPane(list);
    tf.addActionListener(this);
    f.add(tf, BorderLayout.SOUTH);
    f.add(pane, BorderLayout.CENTER);
    f.pack();
    f.show();
}
}
```



# MVC in operation

- If model is modified, GUI is updated
  - calling `model.addElement("Holiday")`
  - makes GUI refresh
- If GUI gets an event, Controller is notified
  - *ListSelectionListener*
    - `void valueChanged(ListSelectionEvent e)`
  - For retrieving selected value(s), use
    - *JList's* `getSelectedIndex()` or `getSelectedIndices()` and
    - *ListModel's* `getElementAt()` methods



# MVC analysis

- **Model: DefaultListModel**

- handles collection of elements
- when changes, notifies *View*

- **View: JList** (*+BasicListUI.ListDataHandler*)

- displays elements only

- **Controller: SwingList** (*implements ActionListener*)

- updates *Model* based on GUI element (*View*) actions



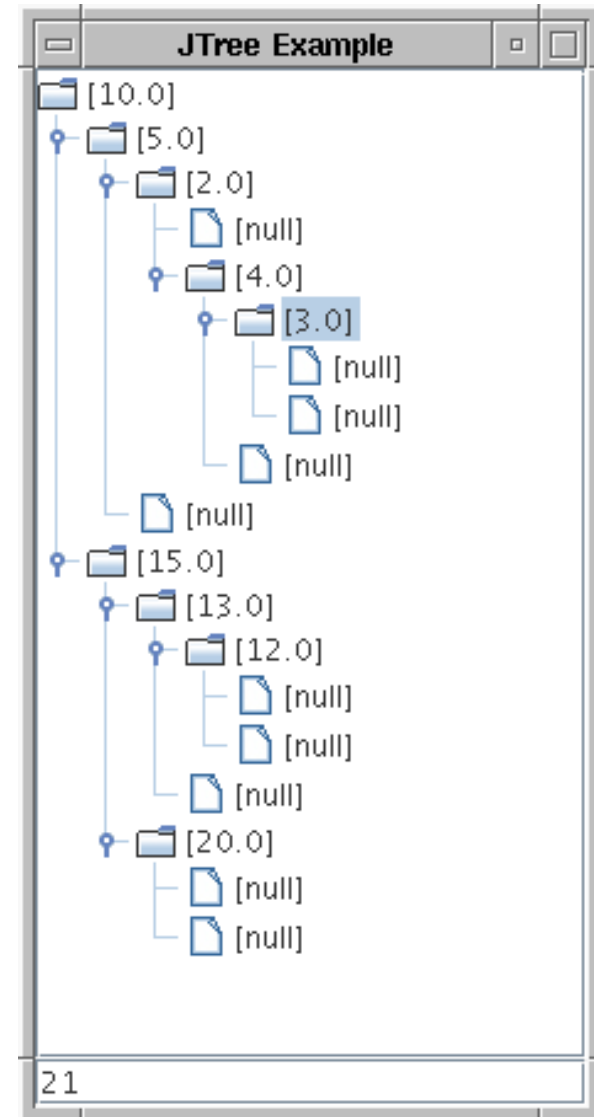
# Complex widget: **JTree**

- Displaying tree structure (hierarchy)
- Model: **TreeModel**
  
- Might be initialized with a **TreeNode**-tree
  - when specifying the root



# JTree example

- **Problem:** let's create an application for displaying a binary tree!
  - tree stores doubles
  - new element can be added





# JTree example

## ■ BinTree

- implements a binary tree (DIY)
- no children: uses *Null* object instead of *null*
  - easier implementation
  - *Null Object pattern*
  - similar to sentinels in linked lists
  - expensive!
- after insertion full path to new element is to be returned



# JTree example

## ■ **BinTreeModel**

- the model for **JTree**
- gives access to **BinTree**
  - `BinTree root = new BinTree()`
- handling **TreeModelListener-S**
  - `Vector<TreeModelListener> listeners`
  - `public void  
addTreeModelListener(TreeModelListener l)`
  - `public void  
removeTreeModelListener(TreeModelListener l)`



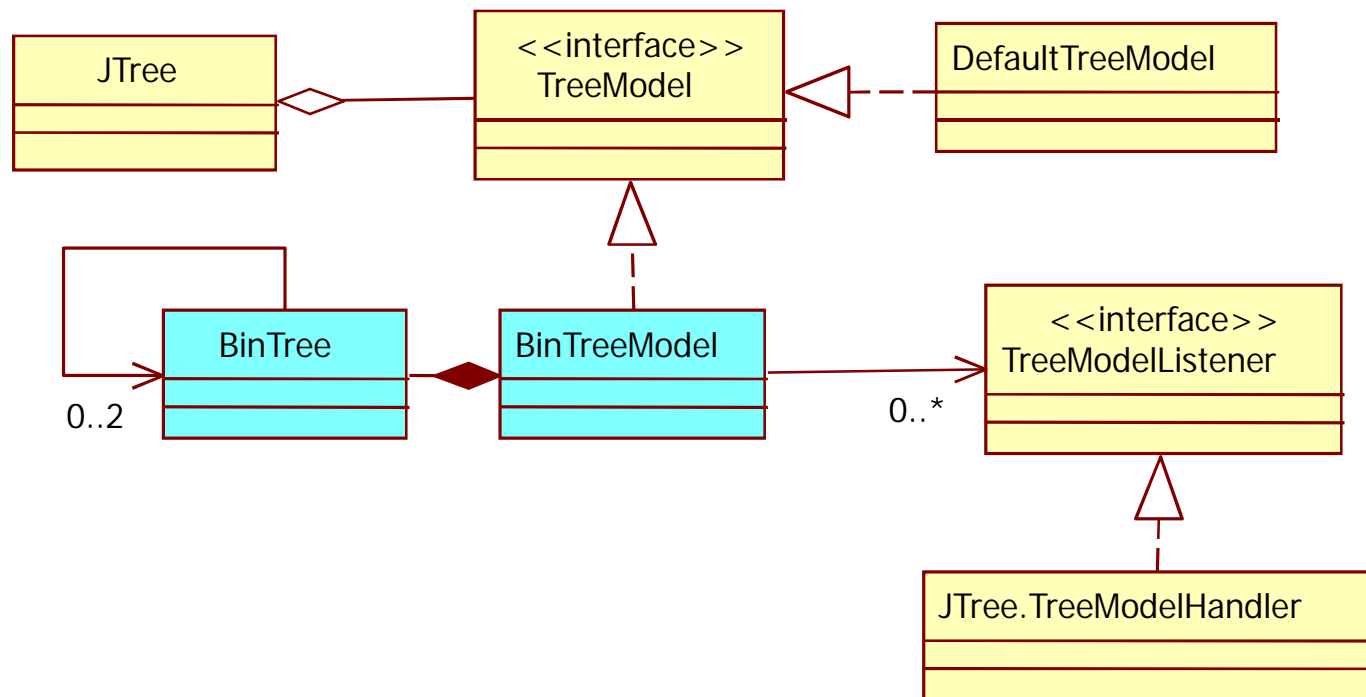
# JTree example

## ■ BinTreeModel (cont)

### □ accessing the model

- `public Object getChild(Object parent, int index)`
- `public int getChildCount(Object parent)`
- `public int getIndexOfChild(Object parent, Object child)`
- `public Object getRoot()`
- `public boolean isLeaf(Object node)`
- `public void valueForPathChanged(TreePath path, Object newValue)`
- `public void insert(double d)`

# JTree class diagram





# JTree example: application

```
JTextField tf;  
BinTreeModel btm;
```

```
public void actionPerformed(ActionEvent ae) {  
    double d = Double.parseDouble(tf.getText());  
    btm.insert(d);  
    tf.setText("");  
}
```

```
tf = new JTextField("", 20);  
btm = new BinTreeModel();  
JTree tree = new JTree(btm);  
JScrollPane scrollPane = new JScrollPane(tree);  
tf.addActionListener(this);
```



# ***MVC vs MVP***

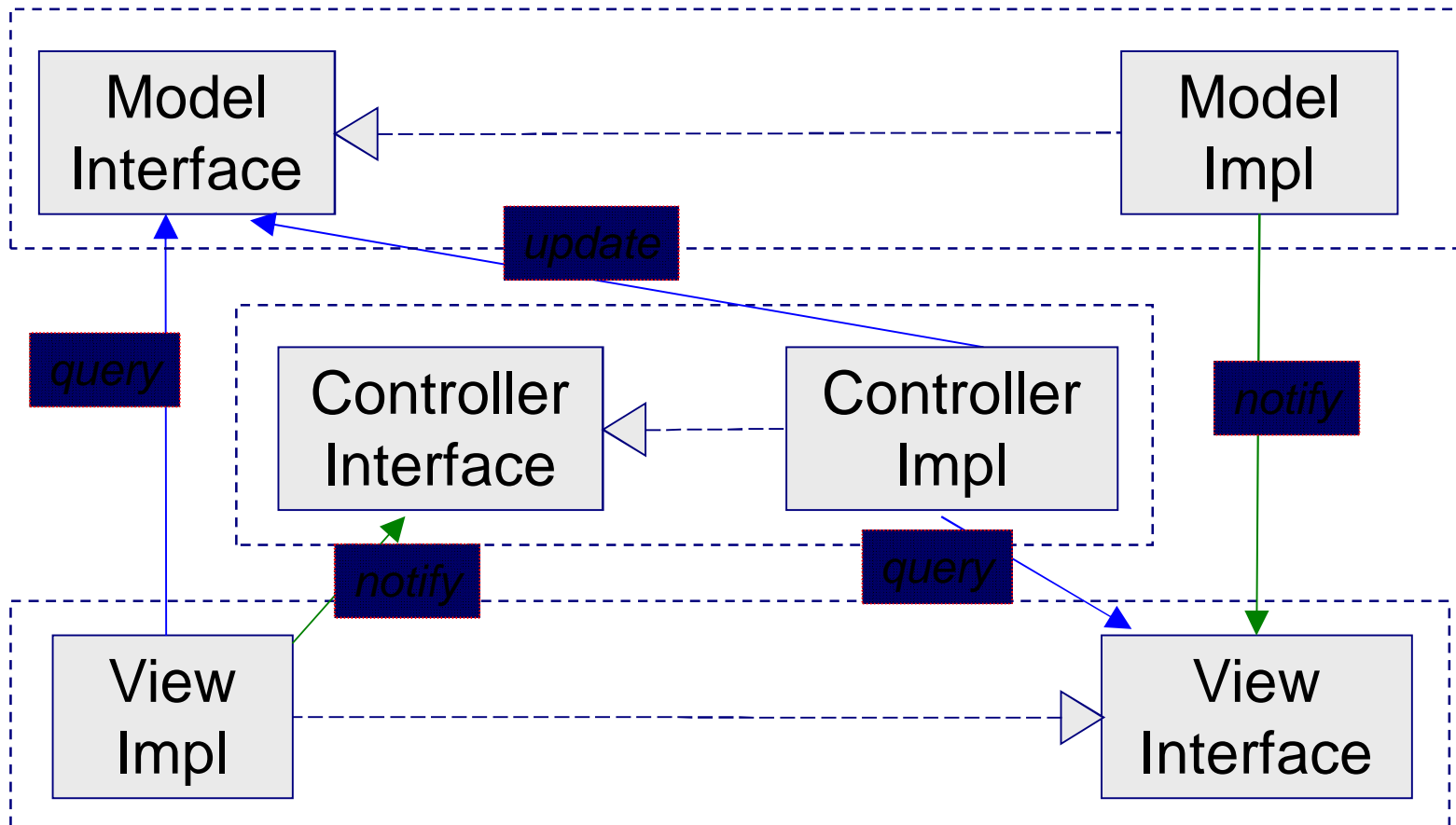


# Questions of layering

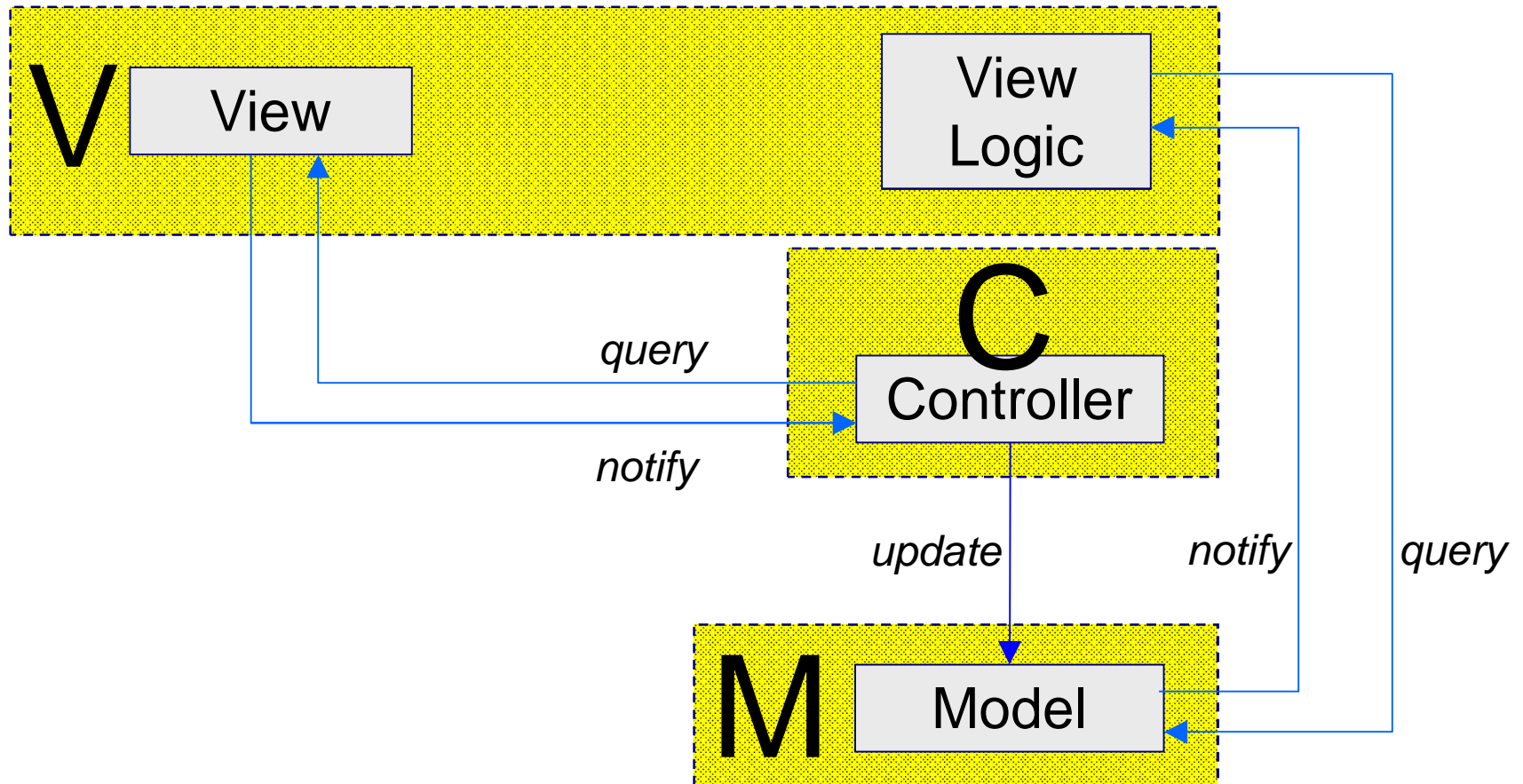
- Thin vs thick client
  - where is the business logic?
    - MVC: how much business logic in *View*?
- Multi-tier architecture
  - browser, application server, database
  - display, service, business logic, infrastructure
- Smart browser
  - Ajax, GWT, HTML5, etc
    - browser does *view and model*
  - is it still thin?



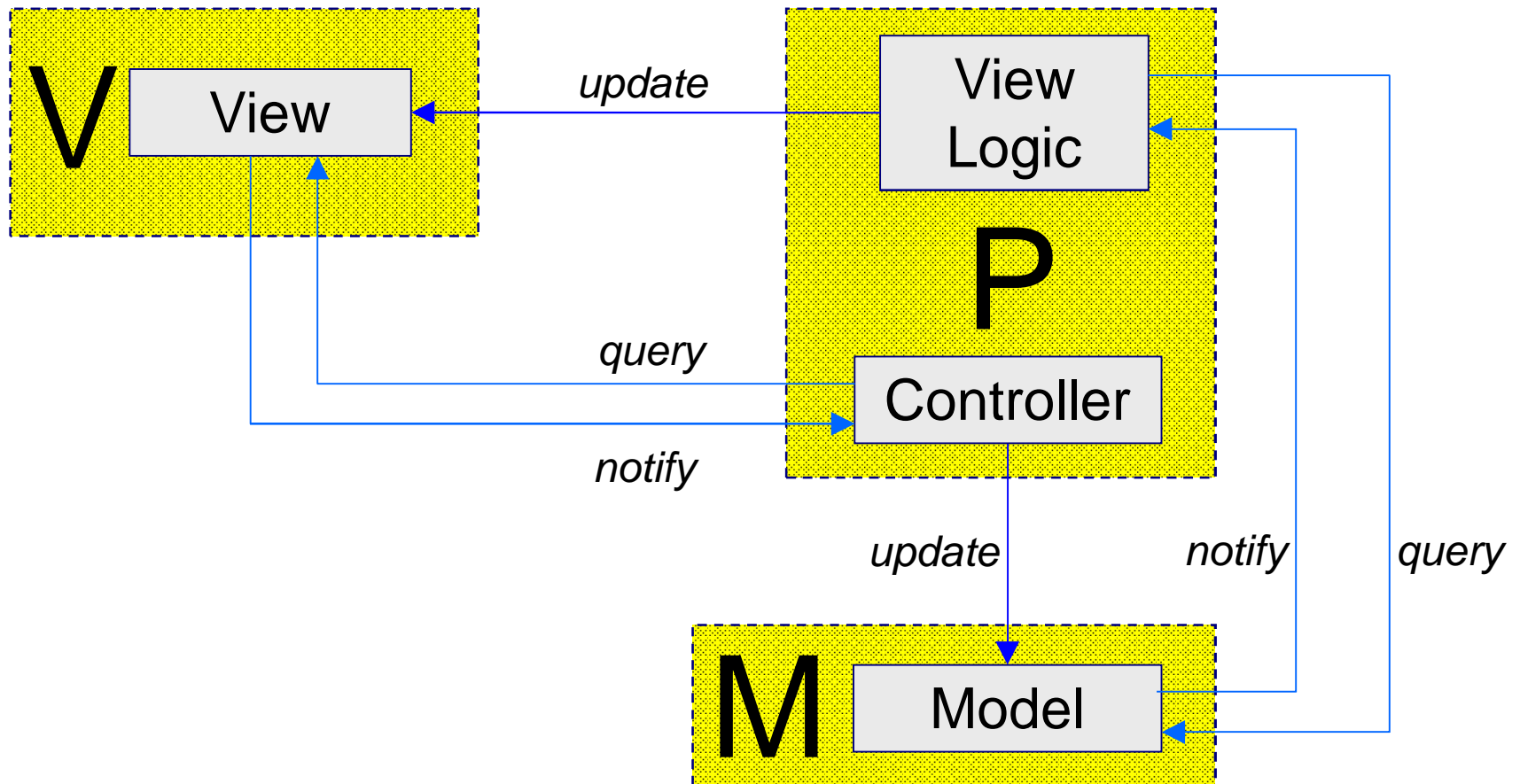
# Classic MVC (revisited)



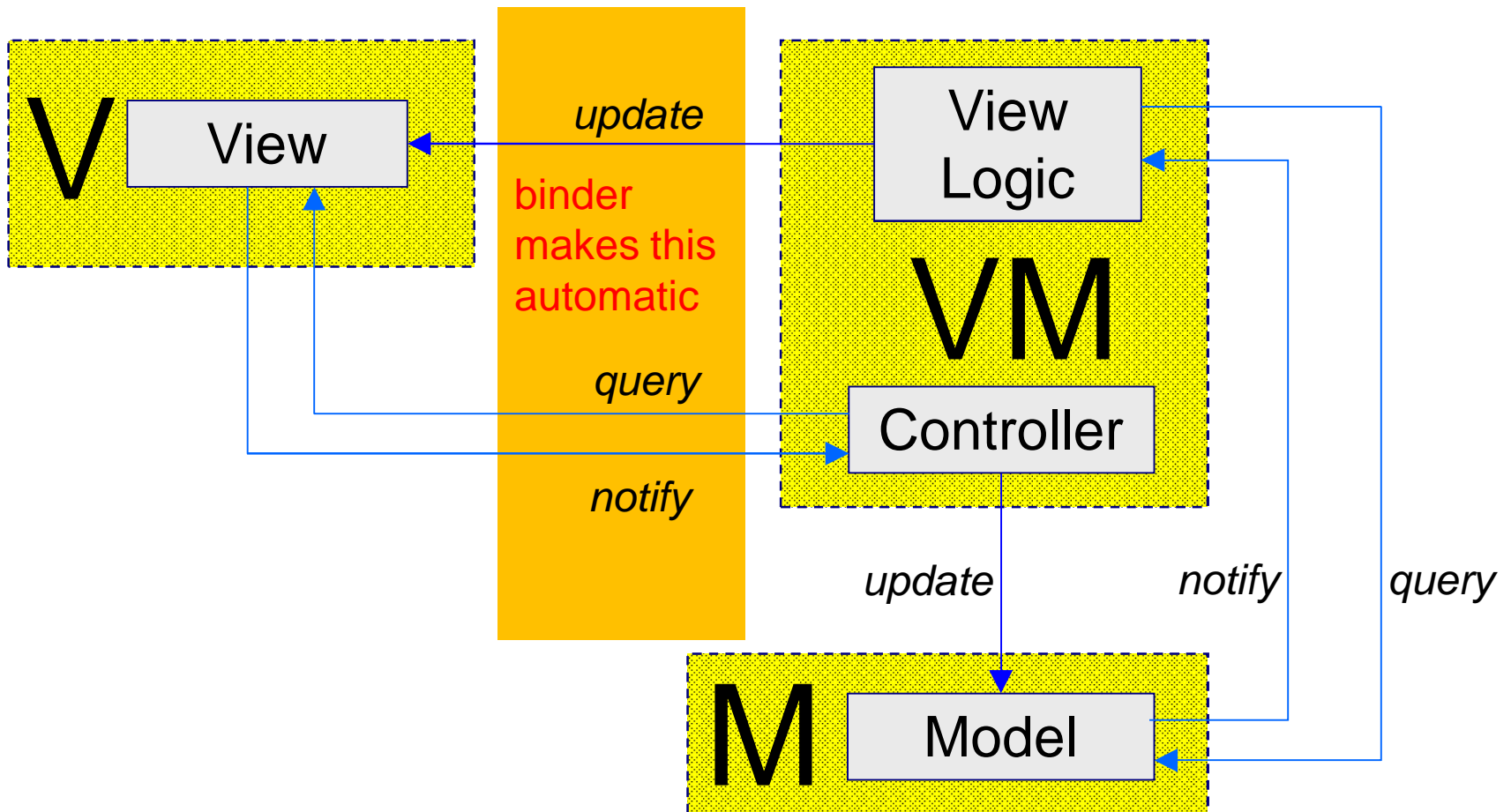
# Model-View-Controller



# Model-View-Presenter



# Model-View-ViewModel





# ***Low level graphics***



# JComponent and painting

- JComponent: basic class of widget hierarchy
  - paint(Graphics g)
    - paints on g when needed
  - repaint()
    - notifies GUI to repaint the component
    - variants with subrectangles specified
- Graphics: basic class for drawing primitives
  - the usual methods for drawing lines, arcs, text, etc
- Graphics2D: advanced graphics
  - shapes, glyphs, etc



# Class Graphics

- Drawing primitives
  - *drawLine, drawRect, drawPolygon, drawText* etc.
- Image handling
  - *drawImage*, see class *Image* also
- Filling primitives
  - *fillRect, fillOval, fillPolygon*, etc.
- Clearing primitives
  - *clearRect*
- Colour and font setting
  - *setColor, setFont*, etc



# Accessing class Graphics

- Inside method paint (Graphics g)
  - method parameter
  - use only in the method
- Outside method paint
  - e.g. off-screen graphic rendering
  - JComponent. getGraphics() method
- Creating off-screen images (buffering)
  - use class BufferedImage
    - java. awt. i mage package

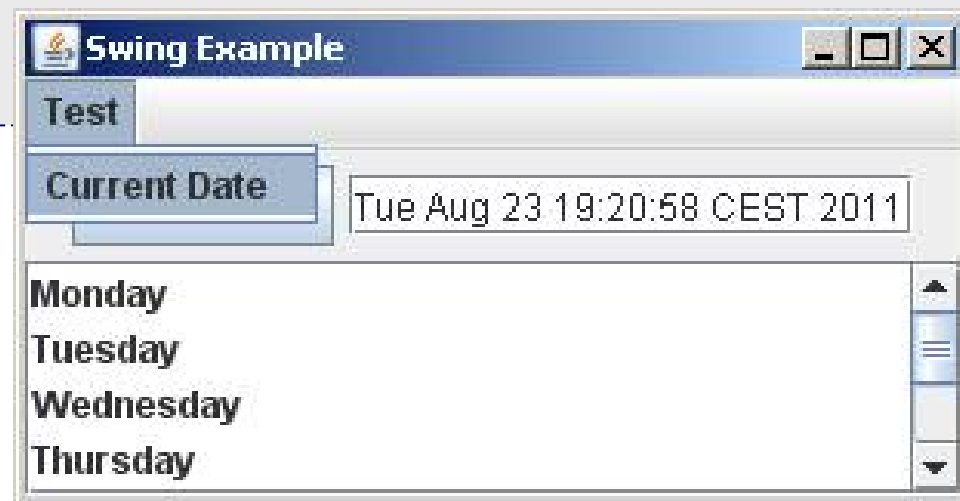




# ***Special components***

# Adding menus to frames

```
ActionListener al = new MyActionListener();  
b. addActionListener(al);  
JMenuItem mi1 = new JMenuItem("Current Date");  
mi1.setActionCommand("date"); // setting action command  
mi1.addActionListener(al); // adding listener  
JMenu m1 = new JMenu("Test");  
m1.add(mi1);  
JMenuBar bar = new JMenuBar();  
bar.add(m1);  
f. setJMenuBar(bar);
```



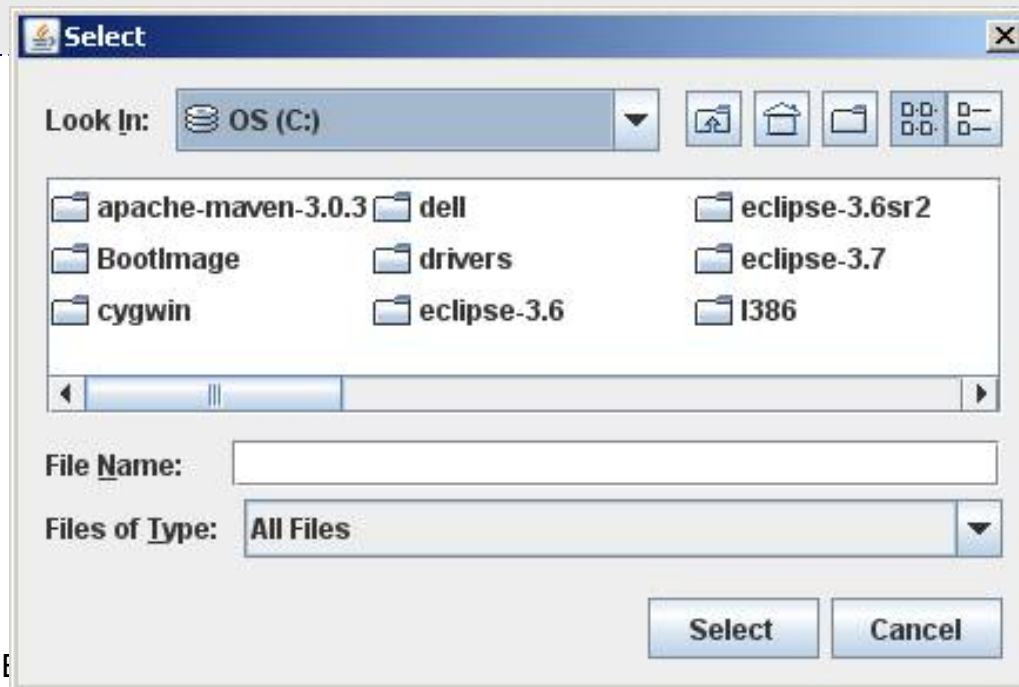


# Using dialogs

- Dialogs are transient windows
- Default swing dialogs
  - JFileChooser
    - file selection; OK button text can be changed, file pattern can be set, etc
  - JColorChooser
    - for choosing a colour from a palette with different models
  - JOptionPane
    - selecting options (OK, OK-cancel, yes-no-cancel, etc.)
  - JDialog
    - general purpose empty dialog, has to be filled

# Dialog examples

```
JFileChooser chooser = new JFileChooser();  
// parent window and approve text has to be defined  
int returnVal = chooser.showDialog(f, "Select");  
if(returnVal == JFileChooser.APPROVE_OPTION) {  
    System.out.println(chooser.getSelectedFile()  
        .getName());  
}
```



# Dialog examples

```
JOptionPane opt = new JOptionPane("Close the dialog?",  
    JOptionPane.QUESTION_MESSAGE, // type  
    JOptionPane.YES_NO_CANCEL_OPTION); // options  
// parent and dialog title  
JDialog jd = opt.createDialog(f, "Question");  
jd.setVisible(true);  
System.out.println(opt.getValue().toString());
```





# ***Further features***



# Further swing features

- Convenient tooltip management
  - e.g. *JComponent.setTooltipText*
- Inside windows
  - within frames with own window management
- Drag and drop
  - text and other objects, works across applications
- Look and feel
  - customizable by adding a simple jar file
- ...